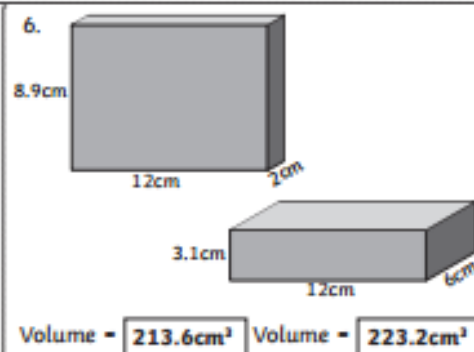
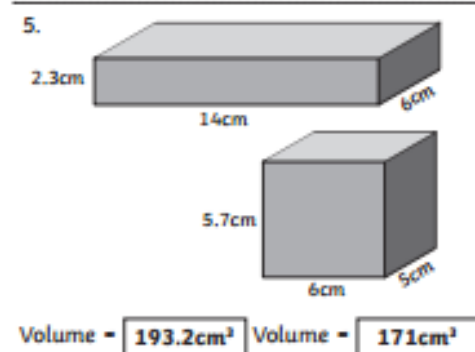
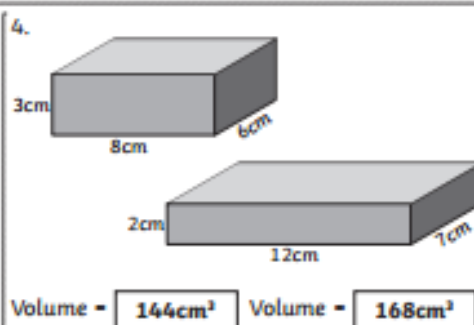
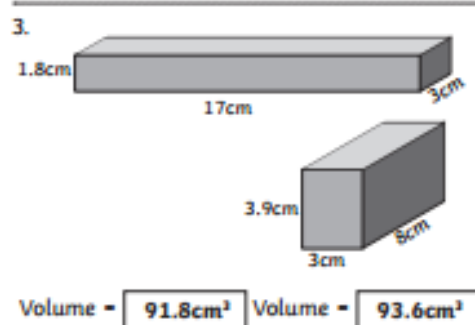
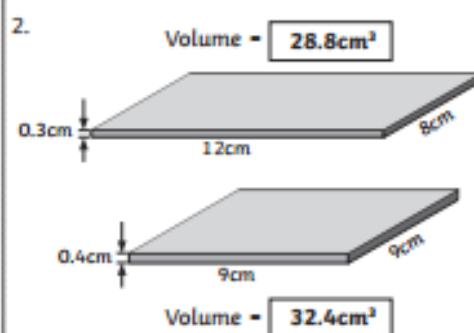
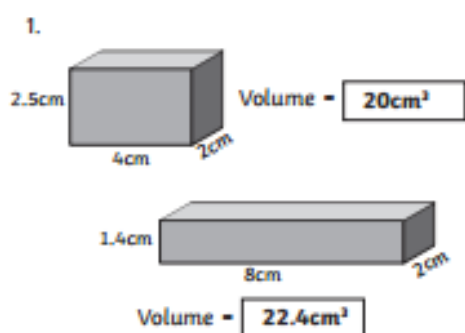


Compare Volume of Cuboid Activity Sheet (1) Answers

Compare the volume of the following cuboids.



Challenge

Find 2 boxes of a similar size, measure accurately and compare the volume.